

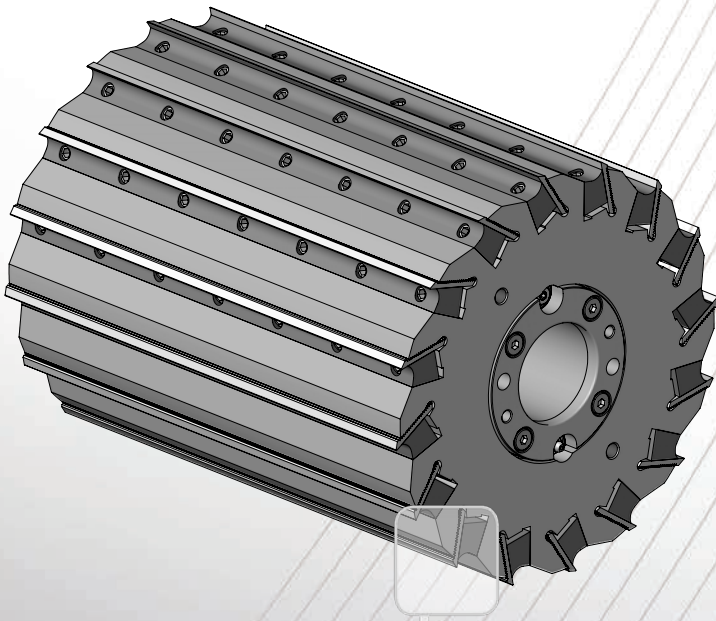
# GP-03



**HYDRO SYSTEM**  
**HIGH FEED SPEED**

**INCREASED TOOL LIFE** with TYGRYS knives

## GP-03H GP-03H



Hydro serrated head, type **GP-03H** designed for planing solid wood. The adjustment of knives height is made with precise serration on the knives and body. The construction allows for big hook angle (27 degrees) with high teeth number which results in very high surface quality. The cutter head works with 4 mm serrated knives. Knife geometry, hydro system, high teeth number and precise balancing allow for high feed speed, high surface quality and guarantee optimal workload of the machine spindle. New construction of the GP-03H cutter head allows for using smaller number of screws per knife.

**Type of work:** pre-planing and precise planing.

**Material:** solid soft wood, solid hard wood

The model shows **GP-03H 250 x 350/60 z=16 cutter head** - 112 pcs. fixing screws. Cutter head with the same dimensions with traditional fixing solution - 176 pcs. fixing screws.

**INCREASED TEETH NUMBER**

**FASTER SERVICING - KNIVES MOUNTING / DISMOUNTING**

